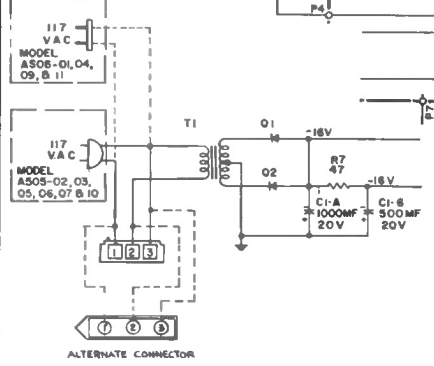
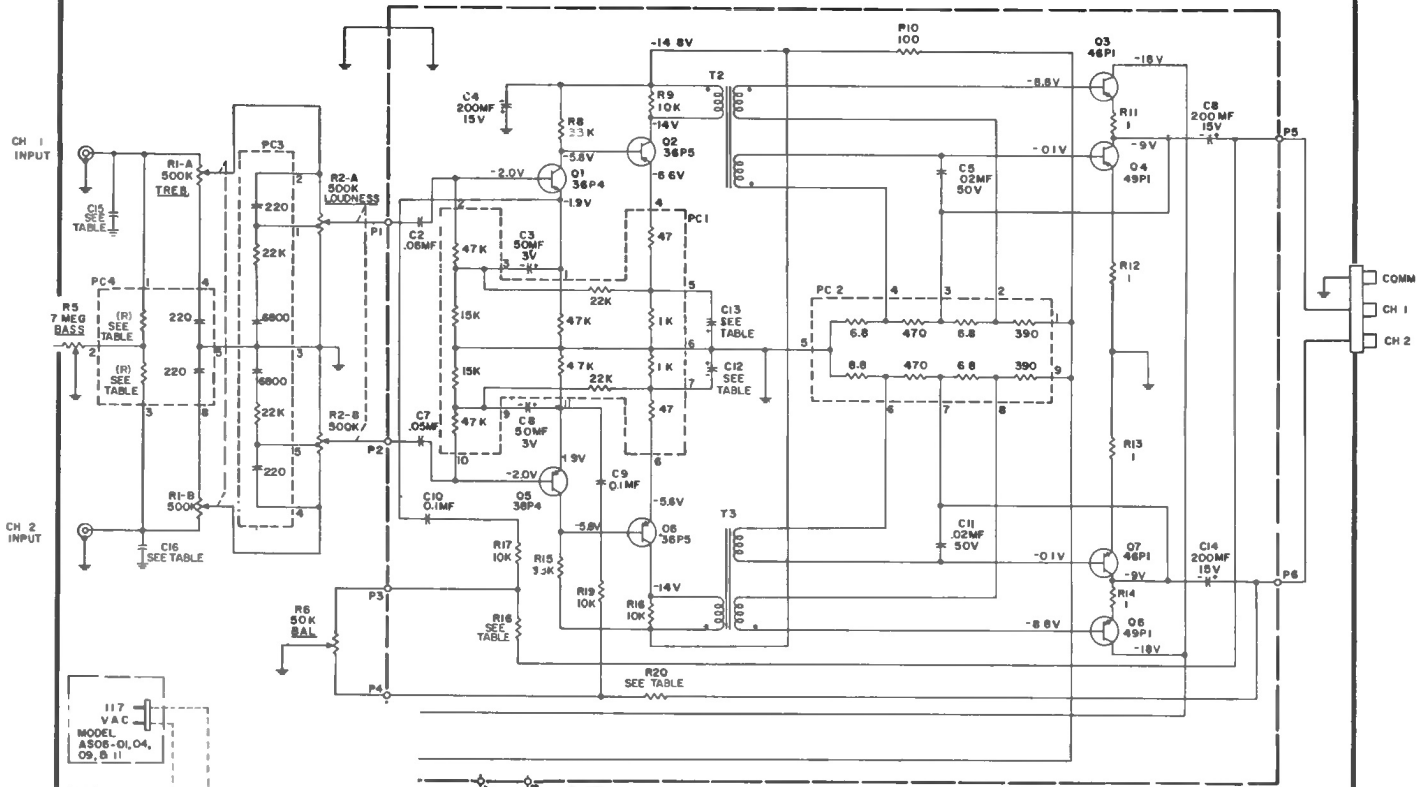


Magnavox A505 SERIES AMPLIFIER CHASSIS



NOTES
 1 VOLTAGES MEASURED WITH VTVM,
 NO INPUT SIGNAL
 2 SOME EARLY CHASSIS HAD
 100K RESISTORS AT R18 & R20

AS05 11	250 MF 10V	250 MF 10V	100K	100K	1000	1000	100K
AS05 10	250 MF 10V	250 MF 10V	68K	68K	OMIT	OMIT	100K
AS05 09	250 MF 10V	250 MF 10V	68K	68K	OMIT	OMIT	100K
AS05 07	250 MF 10V	250 MF 10V	68K	68K	OMIT	OMIT	100K
AS05 06	100MF, 10V	0.05MF, 0V	68K	68K	OMIT	OMIT	100K
AS05 01							
MODEL	C12	C13	R18	R20	C15	C16	PC4

